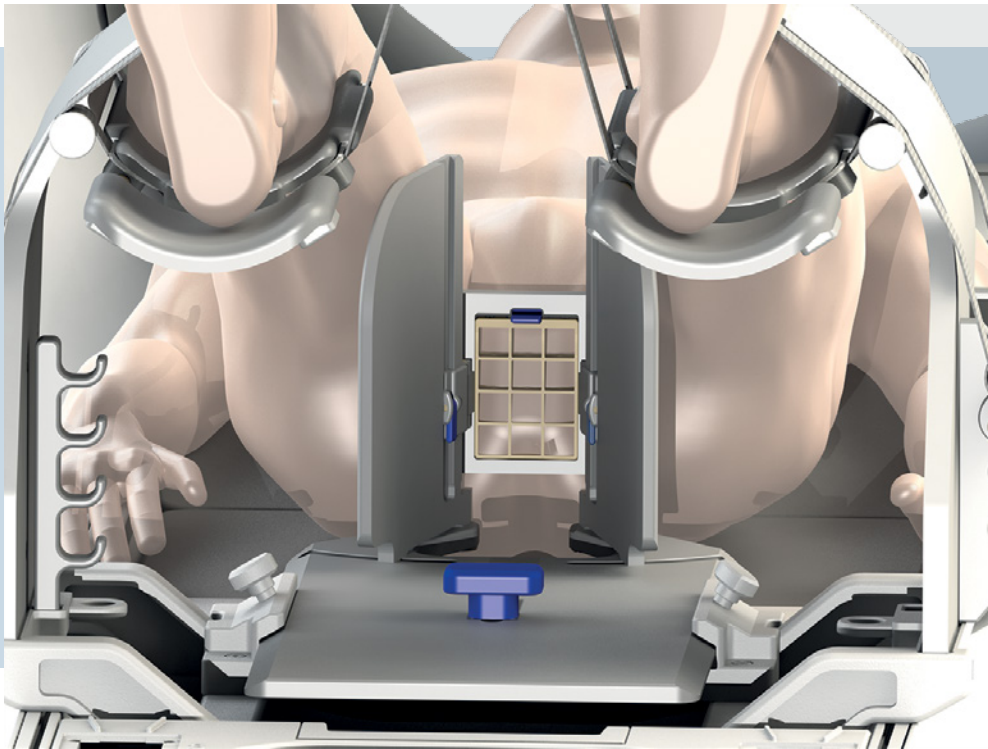


## MR PROSTATE SOLUTIONS BY NORAS

# Uni-Lift Prostate Intervention Device

for MR-guided interventions of the prostate

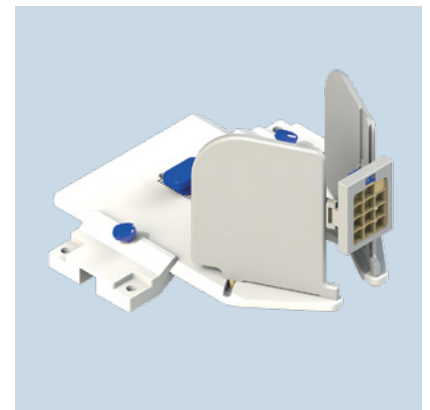
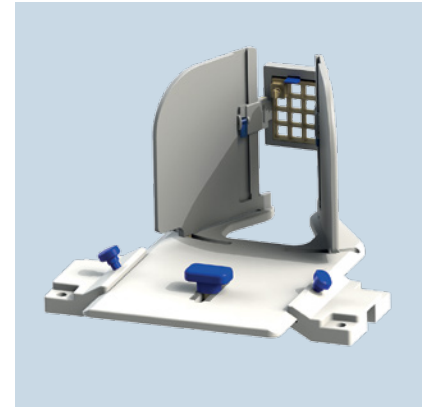
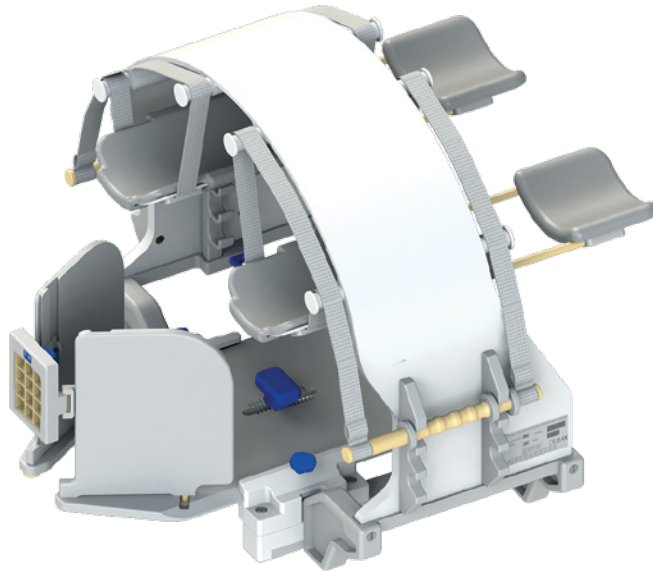


## MR-compatible Holding Device for Transperineal Prostate Biopsy

The Uni-Lift is designed as an arc in which the legs are mounted on brackets. The arc is adapted to the MR table and to the bore size, thereby preventing abutting of the legs while providing the maximum available space for intervention. The supine position allows transperineal access for biopsy and therapy of the prostate. As an application example a biopsy grid for transperineal access is shown.

For MR-guided biopsies images can be taken by the specifically designed flex coil Uni-Belt or ordinary flex coils in combination with the spine coil.

## Transperineal Prostate Biopsy



For the transperineal access, the use of reusable sterilizable grids made of skin-friendly PEEK is provided.

Height-adjustable grid biopsy unit for transperineal access.

## Scanner Compatibility

The Uni-Lift Prostate Interventions Device from NORAS is compatible to the Siemens 70 cm Bore MR Systems (Siemens MAGNETOM Aera 1.5T & Skyra 3T). NORAS is currently working on compatible solutions for other manufacturers of MR scanners. Kindly contact us in case you have any questions regarding the compatibility of the NORAS Uni-Lift Prostate Intervention Device for your scanner.

## NORAS – Your partner for innovative solutions in MR Imaging

Since more than 30 years NORAS MRI products GmbH is a reliable partner for high resolution imaging in MR-based diagnostics and intervention. Kindly get in touch with us in order to learn more about the application areas of our solutions for your MR-based tasks.

**NORAS MRI products GmbH**  
**GERMANY**  
 Leibnizstrasse 4  
 97204 Hoechberg  
 Tel.: +49 (0) 931 2 99 27 0  
 Fax: +49 (0) 931 2 99 27 20  
 info@noras.de  
 www.noras.de



**NORAS MRI products GmbH**  
**USA**  
 Mr. John Wilkie  
 Waukesha, WI 53189  
 Tel.: +1 (414) 350 4433  
 sales-usa@mri-products.com  
 www.mri-products.com